



CAPACITOR CATALOGUE

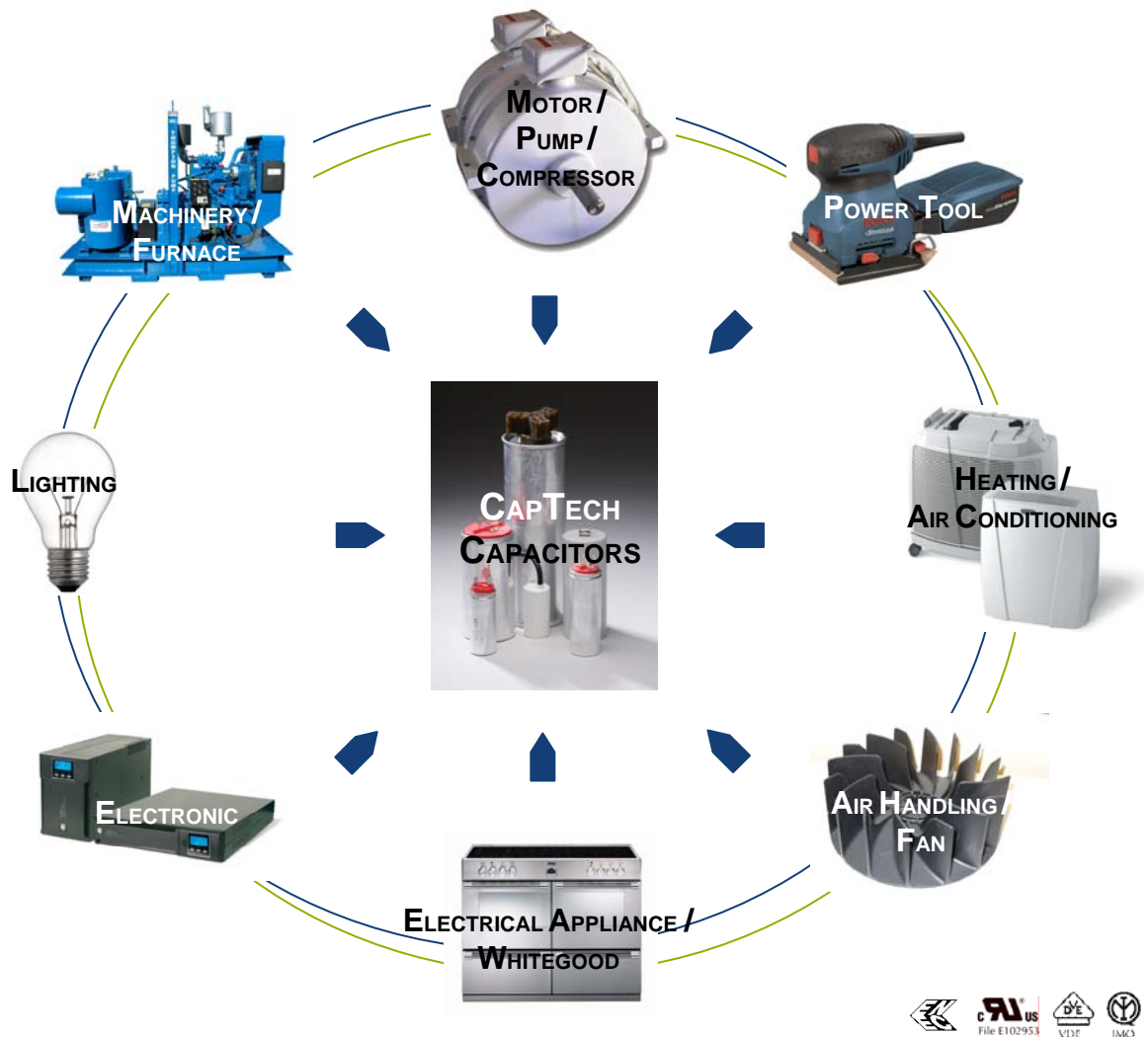


Power Capacitors | Multipurpose Capacitors | Motor Run Capacitors | Motor Start Capacitors | Lighting Capacitors | Electrical Appliance Capacitors | Electrolytic Capacitors | Electric Double Layer Capacitors | Microwave Capacitors | High Volt Capacitors | Furnace Capacitors | Electronic Capacitors | Whitegoods

Powering All Facets of Industries and Technologies...

Capacitor Technologies (CapTech) is one of Australia's leading supplier of capacitor components. CapTech specialise in all types of capacitors catering for all facets of industries and technologies. CapTech capacitors are of **Extremely High Quality**, **Competitive Pricing**, and **Long Life**.

Quality and reliability are paramount to us. All of CapTech capacitors are manufactured to adopt the most modern standards and procedures in order to assure the highest level of quality and reliability of products. Quality and approval certificates available on request.



CAPACITOR TECHNOLOGIES PTY LTD

ABN 19 106 461 385 • A Division of CBD Energy Ltd
 Unit 13/40 Edina Rd • PO Box 240
 Ferntree Gully VIC 3156 Australia
 Ph +61 03 9758 5866 • Fax +61 03 9752 2067
 www.captech.com.au • sales@captech.com.au

Multi-Purpose Capacitors – 4.16.25 Series

Specifications

- Rated Line Voltage : 450V ~ 475V (1-Phase)
- Rated Line Current : 0.15A ~ 11.31A at 50Hz
- Overload Voltage : (1.1x) Rated Voltage
- Overload Current : (1.3x) Rated Current
- Rated DC Voltage : $< \sqrt{2} \cdot V_n$
- Rated Frequency : 50Hz / 60Hz
- Rated Capacitance : 1uF ~ 80uF
- Rated Lifetime : 10,000 hrs Cl. B at 425Vac (as per Approval)
- Test Voltage : $2 \cdot V_n$ for 2 sec (between terminals)
3kV for 2 sec (between terminals and case)
- Dissipation factor $\tan \delta$: $< 20 \cdot 10^{-4}$ at 20°C at V_n , 50Hz
- Tolerance : $\pm 5\%$
- Temperature Class : -25°C ~ +85°C
- Protection Class : P2 (Overpressure Disconnect Equipped)
- Standards Conformance : VDE0560, EN60252, IEC60252, CEI252



Design And Construction

- Can be used with DC voltage as long as not exceeding the peak value of rated voltage, ie $V_{dc} < \sqrt{2} \cdot V_n$.
- Equipped with over-pressure disconnection device (P2) in case of overload condition. Also equipped with a protection device against fire danger in compliance with EN 60252-1.
- **How Overpressure Disconnect Device works (P2):**
Protection is provided by special construction technology (patented) which breaks both the connections in case of breakdown, without affecting case insulation, and hence preventing the capacitor from exploding or burning. In case of permanent short-circuit, the current causes the dielectric to decompose forming gas; the resulting pressure pushes up the part of the lid where the terminals are mounted, thus breaking the internal connections and stopping the current flow.
- Cylindrical aluminium case with M8 stud for mounting and earthing.
- Dielectric consists of self-healing, low-loss vacuum metallised polypropylene foil.
- Dry type, ensuring there is neither possibility of impregnating liquid leakage nor toxicity.
- Connection is made through by single-faston ($< 7\mu F$) or double-faston terminals. Also available in push-in terminals.
- Able to withstand high temperature variation for harsh environment.
- 1-Phase capacitors. Protective cap available, refer to Accessories for details.
- Alternate design include the followings:
 - ~ Single-faston terminal 6.35mm
 - ~ Flat can without fixing stud
 - ~ Discharge resistor

Applications

Especially suitable for *Motor-Start* and *Motor-Run* application. Designed for permanent connection in the auxiliary winding of 1-phase induction motor, or with star-connected 3-phase motor operating on 1-phase supply.

Suitable in applications such as *Motors, Pumps, Compressors, Power Tools, Fans, Air-Conditioning Units, Lightings, Electrical Appliances, Whitegoods* and *other general-purpose equipments*.

Multi-Purpose Capacitors – 4.16.25 Series

Approvals

EN 60252-1



File E102953

Voltage	Approved Range		
400Vac	10,000h Cl.B	25/85/21	40 - 60 uF
425Vac	10,000h Cl.B	25/85/21	1 - 35 uF
450Vac	3,000h Cl.C	25/85/21	40 - 60 uF
475Vac	3,000h Cl.C	25/85/21	1 - 35 uF

Selections And Dimensions Table

1-Phase Multi-Purpose Capacitors (4.16.25 Series)

Part No	Voltage Volt	Current Amp	Cap uF	Dimension Dia x Ht mm
4.16.25.01.80	475	0.15	1.0	25x60
	475	0.22	1.5	25x60
	475	0.30	2.0	25x60
	475	0.37	2.5	25x60
	475	0.45	3.0	25x60
	475	0.52	3.5	30x60
	475	0.60	4.0	30x60
	475	0.75	5.0	30x60
	475	0.90	6.0	30x60
	475	1.04	7.0	35x60
	475	1.19	8.0	35x60
	4.16.25.12.82	475	1.49	10.0
475		1.79	12.0	35x72
475		1.87	12.5	35x72
475		2.09	14.0	35x77
475		2.24	15.0	40x72
475		2.39	16.0	40x72
475		2.69	18.0	40x72
4.16.25.20.82	475	2.98	20.0	40x98
	475	3.28	22.0	40x98
	475	3.58	24.0	40x98
4.16.25.22.83	475	3.73	25.0	40x98
4.16.25.23.83	475	4.48	30.0	40x98
	475	5.22	35.0	45x98
4.16.25.26.80	450	5.65	40.0	45x122
	450	6.36	45.0	45x122
4.16.25.28.80	450	7.07	50.0	45x122
4.16.25.29.80	450	7.78	55.0	50x122
4.16.25.30.80	450	8.48	60.0	50x122
	450	9.19	65.0	55x122
	450	9.90	70.0	55x122
4.16.25.A6.80	450	11.31	80.0	55x132



- Footnote:**
- 1) All dimensions listed are approximate only and are subjected to change without notice. Please consult CapTech for confirmation prior to placing orders.
 - 2) Please consult CapTech for confirmation of availability prior to placing orders.
 - 3) Please consult CapTech for price and delivery.
 - 4) For other ratings or special requirements, please consult CapTech.
 - 5) Protective cap available, refer to Accessories for details.

Multi-Purpose Capacitors – 4.16.10 Series

Specifications

- Rated Line Voltage : 450V ~ 500V (1-Phase)
- Rated Line Current : 0.08A ~ 14.14A at 50Hz
- Overload Voltage : (1.1x) Rated Voltage
- Overload Current : (1.3x) Rated Current
- Rated DC Voltage : $< \sqrt{2} \cdot V_n$
- Rated Frequency : 50Hz / 60Hz
- Rated Capacitance : 0.5uF ~ 100uF
- Rated Lifetime : 10,000 hrs Cl. B at 425Vac (as per Approval)
- Test Voltage : $2 \cdot V_n$ for 2 sec (between terminals)
3kV for 2 sec (between terminals and case)
- Dissipation factor $\tan \delta$: $< 20 \cdot 10^{-4}$ at 20°C at V_n , 50Hz
- Tolerance : $\pm 5\%$
- Temperature Class : -25°C ~ +85°C
- Standards Conformance : VDE0560, EN60252, IEC60252, CEI252



Design And Construction

- Can be used with DC voltage as long as not exceeding the peak value of rated voltage, ie $V_{dc} < \sqrt{2} \cdot V_n$.
- Cylindrical plastic case with M8 stud for mounting.
- Dielectric consists of self-healing, low-loss vacuum metallised polypropylene foil.
- Dry type, ensuring there is neither possibility of impregnating liquid leakage nor toxicity.
- Connection is made through by double-faston terminals, bipolar cables 250mm, or unipolar leads 150mm. Also available in push-in terminals
- High strength to vibrations due to the complete immobility of the coil through a special resin of high electrical and mechanical characteristics.
- Able to withstand high temperature variation for harsh environment.
- 1-Phase capacitors. Protective cap available, refer to Accessories for details.
- Alternate design include the followings:
 - ~ Single-faston terminal 6.35mm
 - ~ Flat can without fixing stud
 - ~ Discharge resistor

Applications

Especially suitable for *Motor-Start* and *Motor-Run* application. Designed for permanent connection in the auxiliary winding of 1-phase induction motor, or with star-connected 3-phase motor operating on 1-phase supply.

Suitable in applications such as *Motors, Pumps, Compressors, Power Tools, Fans, Air-Conditioning Units, Lightings, Electrical Appliances, Whitegoods* and *other general-purpose equipments*.

Multi-Purpose Capacitors – 4.16.10 Series

Approvals

EN 60252-1



Voltage	Approved Range		
400Vac	10,000h Cl.B	25/85/21	45 - 60 uF
425Vac	10,000h Cl.B	25/85/21	2 - 40 uF
450Vac	3,000h Cl.C	25/85/21	45 - 60 uF
475Vac	3,000h Cl.C	25/85/21	2 - 40 uF
500Vac	3,000h Cl.C	25/85/21	1 - 1.5 uF

Selections And Dimensions Table

1-Phase Multi-Purpose Capacitors (4.16.10 Series)

Part No	Voltage Volt	Current Amp	Cap uF	Dimension Dia x Ht mm
4.16.17.C8.80	475	0.07	0.5	28x55
4.16.17.01.82	475	0.15	1.0	28x55
4.16.17.23.80	475	0.22	1.5	28x55
4.16.10.01.83	475	0.30	2.0	28x55
4.16.10.02.83	475	0.37	2.5	28x55
4.16.10.03.73	475	0.45	3.0	28x55
4.16.10.05.82	475	0.52	3.5	28x55
4.16.10.06.76	475	0.60	4.0	28x55
4.16.10.08.21	475	0.75	5.0	28x55
4.16.10.09.80	475	0.90	6.0	32x55
4.16.10.12.80	475	1.04	7.0	32x55
4.16.10.13.22	475	1.19	8.0	32x55
4.16.10.15.21	475	1.49	10.0	36x58
4.16.10.17.85	475	1.79	12.0	36x70
4.16.10.18.79	475	1.87	12.5	36x70
4.16.10.21.22	475	2.09	14.0	36x70
4.16.10.22.80	475	2.24	15.0	36x70
4.16.10.99.84	475	2.39	16.0	36x70
4.16.10.24.84	475	2.69	18.0	40x70
4.16.10.25.23	475	2.98	20.0	40x70
4.16.10.68.80	475	3.28	22.0	40x92
4.16.10.D5.80	475	3.58	24.0	40x92
4.16.10.97.85	475	3.73	25.0	45x70
4.16.10.____	475	4.48	30.0	45x70
** 4.16.10.70.22 **	475	4.48	30.0	40x92
4.16.10.28.85	475	5.22	35.0	45x92
4.16.10.29.22	475	5.97	40.0	45x92
4.16.10.90.81	450	6.36	45.0	50x92
** 4.16.10.63.84 **	450	6.36	45.0	45x117
4.16.10.62.80	450	7.07	50.0	50x92
4.16.10.86.80	450	7.78	55.0	50x92
** 4.16.10.64.80 **	450	7.78	55.0	45x117
4.16.10.57.80	450	8.48	60.0	55x92
** 4.16.10.61.74 **	450	8.48	60.0	50x117
4.16.10.66.81	450	9.19	65.0	50x117
4.16.10.67.81	450	9.90	70.0	50x117
4.16.10.59.82	450	10.60	75.0	55x120
4.16.10.87.84	450	11.31	80.0	55x120
4.16.10.40.80	450	12.72	90.0	55x120
4.16.10.51.81	450	14.14	100.0	60x120



Footnote:

- 1) All dimensions listed are approximate only and are subjected to change without notice. Please consult CapTech for confirmation prior to placing orders.
- 2) Please consult CapTech for confirmation of availability prior to placing orders.
- 3) Please consult CapTech for price and delivery.
- 4) For other ratings or special requirements, please consult CapTech.
- 5) Protective cap available, refer to Accessories for details.
- 6) Note : ** ____ ** refers to Alternative Dimension.

Multi-Purpose Capacitors – 4.16.10 Series

Approvals

EN 60252-1



Voltage	Approved Range		
400Vac	10,000h Cl.B	25/85/21	45 - 60 uF
425Vac	10,000h Cl.B	25/85/21	2 - 40 uF
450Vac	3,000h Cl.C	25/85/21	45 - 60 uF
475Vac	3,000h Cl.C	25/85/21	2 - 40 uF
500Vac	3,000h Cl.C	25/85/21	1 - 1.5 uF

Selections And Dimensions Table

1-Phase Multi-Purpose Capacitors (4.16.10 Series)

Part No	Voltage Volt	Current Amp	Cap uF	Dimension Dia x Ht mm
4.16.17.01.83	500	0.16	1.0	28x55
4.16.17.23.81	500	0.24	1.5	28x55
4.16.10.01.73	475	0.30	2.0	28x55
4.16.10.02.84	475	0.37	2.5	28x55
4.16.10.03.75	475	0.45	3.0	28x55
4.16.10.05.84	475	0.52	3.5	28x55
4.16.10.06.79	475	0.60	4.0	28x55
4.16.10.08.22	475	0.75	5.0	28x55
4.16.10.09.83	475	0.90	6.0	32x55
4.16.10.12.81	475	1.04	7.0	32x55
4.16.10.13.23	475	1.19	8.0	32x55
4.16.10.15.22	475	1.49	10.0	36x58
4.16.10.17.92	475	1.79	12.0	36x70
4.16.10.18.24	475	1.87	12.5	36x70
4.16.10.21.26	475	2.09	14.0	36x70
4.16.10.22.81	475	2.24	15.0	36x70
4.16.10.99.88	475	2.39	16.0	36x70
4.16.10.24.74	475	2.69	18.0	40x70
4.16.10.25.24	475	2.98	20.0	40x70
4.16.10.26.23	475	3.73	25.0	40x92
4.16.10.70.24	475	4.48	30.0	40x92
4.16.10.28.86	475	5.22	35.0	45x92
4.16.10.29.23	475	5.97	40.0	45x92
4.16.10.63.85	450	6.36	45.0	45x117
4.16.10.30.75	450	7.07	50.0	45x117
4.16.10.64.82	450	7.78	55.0	45x117
4.16.10.61.75	450	8.48	60.0	50x117
4.16.10.66.82	450	9.19	65.0	50x117
4.16.10.67.83	450	9.90	70.0	50x117
4.16.10.59.83	450	10.60	75.0	55x120
4.16.10.87.85	450	11.31	80.0	55x120



- Footnote:**
- 1) All dimensions listed are approximate only and are subjected to change without notice. Please consult CapTech for confirmation prior to placing orders.
 - 2) Please consult CapTech for confirmation of availability prior to placing orders.
 - 3) Please consult CapTech for price and delivery.
 - 4) For other ratings or special requirements, please consult CapTech.
 - 5) Protective cap available, refer to Accessories for details.

Multi-Purpose Capacitors – 4.16.10 Series

Approvals

EN 60252-1



Voltage	Approved Range		
400Vac	10,000h Cl.B	25/85/21	45 - 60 uF
425Vac	10,000h Cl.B	25/85/21	2 - 40 uF
450Vac	3,000h Cl.C	25/85/21	45 - 60 uF
475Vac	3,000h Cl.C	25/85/21	2 - 40 uF
500Vac	3,000h Cl.C	25/85/21	1 - 1.5 uF

Selections And Dimensions Table

1-Phase Multi-Purpose Capacitors (4.16.10 Series)				
Part No	Voltage Volt	Current Amp	Cap uF	Dimension Dia x Ht mm
	500	0.16	1.0	28x55
4.16.17.23.82	500	0.24	1.5	28x55
4.16.10.01.74	475	0.30	2.0	28x55
4.16.10.02.85	475	0.37	2.5	28x55
4.16.10.03.74	475	0.45	3.0	28x55
	475	0.52	3.5	28x55
4.16.10.06.78	475	0.60	4.0	28x55
	475	0.75	5.0	28x55
4.16.10.09.82	475	0.90	6.0	32x55
	475	1.04	7.0	32x55
4.16.10.13.V1	475	1.19	8.0	32x55
	475	1.49	10.0	36x58
4.16.10.17.86	475	1.79	12.0	36x70
4.16.10.18.Z3	475	1.87	12.5	36x70
4.16.10.21.Z3	475	2.09	14.0	36x70
	475	2.24	15.0	36x70
4.16.10.99.85	475	2.39	16.0	36x70
4.16.10.24.73	475	2.69	18.0	40x70
	475	2.98	20.0	40x70
	475	3.73	25.0	40x92
	475	4.48	30.0	40x92
	475	5.22	35.0	45x92
4.16.10.29.Z5	475	5.97	40.0	45x92
	450	6.36	45.0	45x117
	450	7.07	50.0	45x117
4.16.10.64.81	450	7.78	55.0	45x117
	450	8.48	60.0	50x117
	450	9.19	65.0	50x117
4.16.10.67.82	450	9.90	70.0	50x117
	450	10.60	75.0	55x120
	450	11.31	80.0	55x120



- Footnote:**
- 1) All dimensions listed are approximate only and are subjected to change without notice. Please consult CapTech for confirmation prior to placing orders.
 - 2) Please consult CapTech for confirmation of availability prior to placing orders.
 - 3) Please consult CapTech for price and delivery.
 - 4) For other ratings or special requirements, please consult CapTech.
 - 5) Protective cap available, refer to Accessories for details.

Motor Start Capacitors – 4.12.80 Series

Specifications

- Rated Line Voltage : 125V ~ 330V Standard Duty (1-Phase)
- Rated Frequency : 50Hz / 60Hz
- Rated Capacitance : 30uF ~ 516uF
- Tolerance : ± 10%
- Temperature Class : -20°C ~ +60°C
- Standards Conformance : EN60252, IEC60252



Design And Construction

- Cylindrical moulded self-extinguishing thermoplastic case, moisture and oil-resistant.
- Dielectric consists of impregnated non-polarised aluminium electrolytic, designed for intermittent AC duty.
- Connection is made through double-faston 6.3x0.8mm terminals.
- End caps and mounting brackets available, sold separately.
- 1-Phase capacitors. End cap and mounting bracket available, refer to Accessories for details.
- Higher voltage rating available on request.
- Alternate design include the followings:
 - ~ Soldering terminal
 - ~ stud-mounted
 - ~ Discharge resistor

Applications

Especially suitable for *Motor-Start* application. Designed for starting fractional horsepower, 1-phase electric motor, as well as in geared motor applications.

Suitable in applications such as *Motors, Pumps, Compressors, Power Tools, Electrical Appliances, Whitegoods* and other *general-purpose equipments*.

Motor Start Capacitors – 4.12.80 Series

Selections And Dimensions Table

1-Phase Motor Start Capacitors (4.12.80 Series)

Part No	Voltage Volt	Range uF	Average uF	Dimension Dia x Ht mm
4.12.80.2.253	125	30-36	33.0	36.5x68.5
4.12.80.2.255	125	43-52	45.0	36.5x68.5
4.12.80.2.257	125	53-64	60.0	36.5x68.5
4.12.80.2.258	125	64-77	70.0	36.5x68.5
4.12.80.2.259	125	72-86	80.0	36.5x68.5
4.12.80.2.260	125	88-106	100.0	36.5x68.5
4.12.80.2.261	125	108-130	120.0	36.5x68.5
4.12.80.2.262	125	124-149	135.0	36.5x68.5
4.12.80.2.263	125	130-156	145.0	36.5x68.5
4.12.80.2.264	125	145-174	160.0	36.5x68.5
4.12.80.2.265	125	161-193	175.0	36.5x68.5
4.12.80.2.266	125	189-227	210.0	36.5x68.5
4.12.80.2.267	125	216-260	235.0	36.5x68.5
4.12.80.2.268	125	233-280	260.0	36.5x68.5
4.12.80.2.275	125	243-292	270.0	36.5x68.5
4.12.80.2.270	125	270-324	300.0	45.5x84
4.12.80.2.271	125	324-389	355.0	45.5x84
4.12.80.2.272	125	340-408	375.0	45.5x84
4.12.80.2.273	125	378-454	420.0	45.5x84
4.12.80.2.274	125	400-480	440.0	45.5x84
4.12.80.2.276	125	430-516	475.0	45.5x84
4.12.80.2.402	250	25-30	28.0	36.5x68.5
4.12.80.2.404	250	36-43	40.0	36.5x68.5
4.12.80.2.406	250	47-56	50.0	36.5x68.5
4.12.80.2.418	250	53-64	60.0	36.5x68.5
4.12.80.2.427	250	64-77	70.0	36.5x68.5
4.12.80.2.409	250	72-86	80.0	45.5x84
4.12.80.2.410	250	88-106	100.0	45.5x84
4.12.80.2.411	250	108-130	120.0	45.5x84
4.12.80.2.419	250	124-149	135.0	45.5x84
4.12.80.2.420	250	130-156	145.0	45.5x84
4.12.80.2.421	250	145-174	160.0	45.5x84
4.12.80.2.422	250	161-193	175.0	45.5x84
4.12.80.2.424	250	189-227	210.0	45.5x84
4.12.80.2.417	250	216-260	235.0	52x105
4.12.80.2.423	250	233-280	260.0	52x105
4.12.80.2.375	220	270-324	300.0	52x105
4.12.80.2.453	330	30-36	33.0	36.5x68.5
4.12.80.2.464	330	36-43	40.0	36.5x68.5
4.12.80.2.472	330	43-52	45.0	36.5x68.5
4.12.80.2.456	330	47-56	50.0	45.5x84
4.12.80.2.457	330	53-64	60.0	45.5x84
4.12.80.2.458	330	64-77	70.0	45.5x84
4.12.80.2.459	330	72-86	80.0	45.5x84
4.12.80.2.465	330	88-106	100.0	45.5x84
4.12.80.2.461	330	108-130	120.0	52x105
4.12.80.2.462	330	124-149	135.0	52x105
4.12.80.2.463	330	130-156	145.0	52x105
4.12.80.2.469	330	145-174	160.0	52x105
4.12.80.2.468	330	161-193	175.0	52x105
4.12.80.2.466	330	189-227	210.0	52x105



Other ratings (eg: 200-240uF, 540-648uF, 640-748uF) also available. Please consult CapTech.

- Footnote:**
- 1) All dimensions listed are approximate only and are subjected to change without notice. Please consult CapTech for confirmation prior to placing orders.
 - 2) Please consult CapTech for confirmation of availability prior to placing orders.
 - 3) Please consult CapTech for price and delivery.
 - 4) For other ratings or special requirements, please consult CapTech.
 - 5) End cap and mounting bracket available, refer to Accessories for details.

Motor Start Capacitors – CTCS Series

Specifications

- Rated Line Voltage : 125V ~ 330V Standard Duty (1-Phase)
- Rated Frequency : 50Hz / 60Hz
- Rated Capacitance : 80uF ~ 748uF
- Tolerance : ± 10%
- Temperature Class : -20⁰C ~ +55⁰C



Design And Construction

- Cylindrical moulded self-extinguishing Bakelite case, moisture and oil-resistant.
- Dielectric consists of impregnated non-polarised aluminium electrolytic, designed for intermittent AC duty.
- Connection is made through double-faston 6.3x0.8mm terminals.
- 1-Phase capacitors.
- Higher voltage rating available on request.

Applications

Especially suitable for *Motor-Start* application. Designed for starting fractional horsepower, 1-phase electric motor, as well as in geared motor applications.

Suitable in applications such as *Motors, Pumps, Compressors, Power Tools, Electrical Appliances, Whitegoods* and other *general-purpose equipments*.

Selections And Dimensions Table

1-Phase Motor Start Capacitors (CTCS Series)				
Part No	Voltage Volt	Range uF	Average uF	Dimension Dia x Ht mm
CTCS12540648P	125	540-648	600.0	46x85
CTCS12640748P	125	640-748	700.0	46x111
CTCS25080096P	250	80-96	90.0	36x70
CTCS25200240P	250	200-240	220.0	46x85
CTCS25270324P	250	270-324	300.0	46x85
CTCS33216260P	330	216-260	235.0	46x111



- Footnote:**
- 1) All dimensions listed are approximate only and are subjected to change without notice. Please consult CapTech for confirmation prior to placing orders.
 - 2) Please consult CapTech for confirmation of availability prior to placing orders.
 - 3) Please consult CapTech for price and delivery.
 - 4) For other ratings or special requirements, please consult CapTech.

Electrolytic Capacitors –KMH Series

Specifications

- Rated Line Voltage : 16Vdc ~ 400Vdc (1-Phase)
- Rated Capacitance : 220uF ~ 680,000uF
- Tolerance : $\pm 20\%$
- Temperature Class : -40⁰C ~ +105⁰C (16Vdc ~ 100Vdc)
-25⁰C ~ +105⁰C (200Vdc ~ 400Vdc)



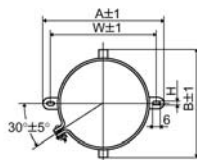
Electrical Characteristics

- **Max Leakage Current.** $I = 0.02CV$ or 5mA, whichever is smaller (at 20⁰C after 5 minutes).
Where, I : max leakage current (uA), C : nominal capacitance (uF), V : rated voltage (V)
- **Insulation Resistance.** When measured between the terminals shorted to each other and the mounting clamp on the insulating sleeve covering the case by using an insulation resistance meter of 500Vdc, the insulation resistance shall not be less than 100M Ω .
- **Electrical Endurance.** The following specifications shall be satisfied when the capacitors are restored to 20⁰C after subjected to DC voltage with the rated ripple current is applied for 2,000 hours at 105⁰C.
 - Capacitance tolerance : $< \pm 20\%$ of the initial value
 - Dissipation Factor : $< 200\%$ of the initial specified value
 - Leakage Current : $<$ the initial specified value
- **Shelf Life.** The following specifications shall be satisfied when the capacitors are restored to 20⁰C after exposing them for 500 hours at 105⁰C without voltage applied.
 - Capacitance tolerance : $< \pm 20\%$ of the initial value
 - Dissipation Factor : $< 200\%$ of the initial specified value
 - Leakage Current : $<$ the initial specified value

Design And Construction

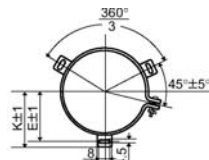
- Cylindrical can, screw-type terminals, electrolytic capacitors.
- Screw and mounting clamps supplied. Mounting clamps are as follow:

Mounting Clamp Code B



ϕD	A	B	W	H	F
35	58.0	44.0	48.0	3.5	12.7
50	78.0	64.0	68.0	4.5	22.4
63.5	90.0	76.0	80.0	4.5	28.0
76	104.5	90.0	93.5	4.5	31.5

Mount Clamp Code C



ϕD	E	K	J	F
50	32.5	37.0	14.0	22.4
63.5	38.1	43.5	14.0	28.0
76	44.5	50.0	14.0	31.5
89	50.8	56.5	16.0	31.5

Applications

Especially suitable for *Welders, Generators, Power Supply, Inverter, Rectifier, UPS, Strobe*, and a wide range of *Electronic Circuits* applications.

Electrolytic Capacitors –KMH Series

Selections And Dimensions Table

1-Phase Electrolytic Capacitors (KMH Series)			
Part No	Voltage Volt	Cap μ F	Dimension Dia x Ht mm
EKMH160LGB223MA50M	16	22,000	35x50
EKMH160LGB333MA60M	16	33,000	35x60
EKMH160LGB473MA80M	16	47,000	35x80
EKMH160LGB683MAA0M	16	68,000	35x100
EKMH160LGC104MC80M	16	100,000	50x80
EKMH160LGC154MCC0M	16	150,000	50x120
EKMH160LGC474MEE0M	16	470,000	76.2x140
EKMH160LGC684MFE0M	16	680,000	89x140
EKMH350LGB103MA50M	35	10,000	35x50
EKMH350LGB153MA60M	35	15,000	35x60
EKMH350LGB223MA80M	35	22,000	35x80
EKMH350LGB333MAC0M	35	33,000	35x120
EKMH350LGC473MCA0M	35	47,000	50x100
EKMH350LGC104MDC0M	35	100,000	63.5x120
EKMH350LGC154MEC0M	35	150,000	76.2x120
EKMH350LGC224MEE0M	35	220,000	76.2x140
EKMH630LGB472MA50M	63	4,700	35x50
EKMH630LGB682MA60M	63	6,800	35x60
EKMH630LGB103MA80M	63	10,000	35x80
EKMH630LGB153MAC0M	63	15,000	35x120
EKMH630LGC223MCA0M	63	22,000	50x100
EKMH630LGC333MCC0M	63	33,000	50x120
EKMH630LGC473MDC0M	63	47,000	63.5x120
EKMH630LGC683MEC0M	63	68,000	76.2x120
EKMH630LGC104MEE0M	63	100,000	76.2x140
EKMH101LGB222MA50M	100	2,200	35x50
EKMH101LGB472MAA0M	100	4,700	35x100
EKMH101LGB682MAC0M	100	6,800	35x120
EKMH101LGC103MCA0M	100	10,000	50x100
EKMH101LGC223MDC0M	100	22,000	63.5x120
EKMH101LGC473MFE0M	100	47,000	89x140
EKMH201LGB471MA50M	200	470	35x50
EKMH201LGB102MA60M	200	1,000	35x60
EKMH201LGB152MA80M	200	1,500	35x80
EKMH201LGB222MAA0M	200	2,200	35x100
EKMH201LGC472MDA0M	200	4,700	63.5x100
EKMH201LGC682MDC0M	200	6,800	63.5x120
EKMH201LGC103MEC0M	200	10,000	76.2x120
EKMH201LGC153MEE0M	200	15,000	76.2x140
EKMH401LGB221MA50M	400	220	35x50
EKMH401LGB471MA80M	400	470	35x80
EKMH401LGB681MAA0M	400	680	35x100
EKMH401LGC102MC80M	400	1,000	50x80
EKMH401LGC152MCC0M	400	1,500	50x120
EKMH401LGC222MDA0M	400	2,200	63.5x100
EKMH401LGC332MDC0M	400	3,300	63.5x120
EKMH401LGC472MED0M	400	4,700	76.2x130
EKMH401LGC682MFE0M	400	6,800	89x140



- Footnote:**
- 1) All dimensions listed are approximate only and are subjected to change without notice. Please consult CapTech for confirmation prior to placing orders.
 - 2) Please consult CapTech for confirmation of availability prior to placing orders.
 - 3) Please consult CapTech for price and delivery.
 - 4) For other ratings or special requirements, please consult CapTech.

Accessories – For 4.16.XX / 4.12.XX / CTCXX Series



Protective Cap for 4.16.XX / CTCXX Series Multi-Purpose Capacitors

Protective Cap for 4.16.XX / CTCXX

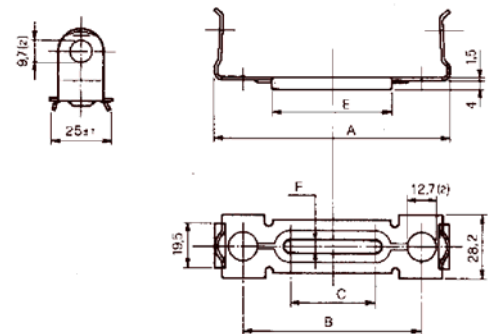
Part No	Dimension (mm)		
	D	H	d
316.23.2210	25	40	8.0
316.23.0930	28	50	8.5
316.23.2040	30	40	12.0
316.23.0940	32	50	8.5
316.23.0950	36	50	8.5
316.23.0960	40	50	8.5
316.23.0860	45	50	8.5
316.23.1070	50	50	8.0
316.23.2110	55	64	8.0



Mounting Bracket for 4.12.XX / CTCXX Series Motor Start Capacitors

Mounting Bracket for 4.12.XX / CTCXX

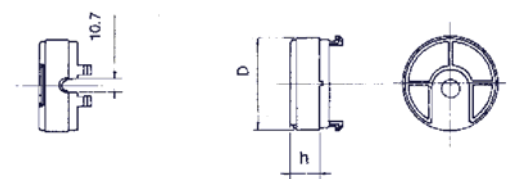
Part No	Case Dim D x H mm	Dimension (mm)				
		A	B	C	E	F
3.12.36.0750	36.5 x 68.5	88.2	31.6	22.3	37.3	2.5
3.12.36.0020	45.5 x 84	104.4	39.5	38.1	53.2	5.9
3.12.36.0010	52 x 105	129.4	52.1	38.1	53.2	5.9



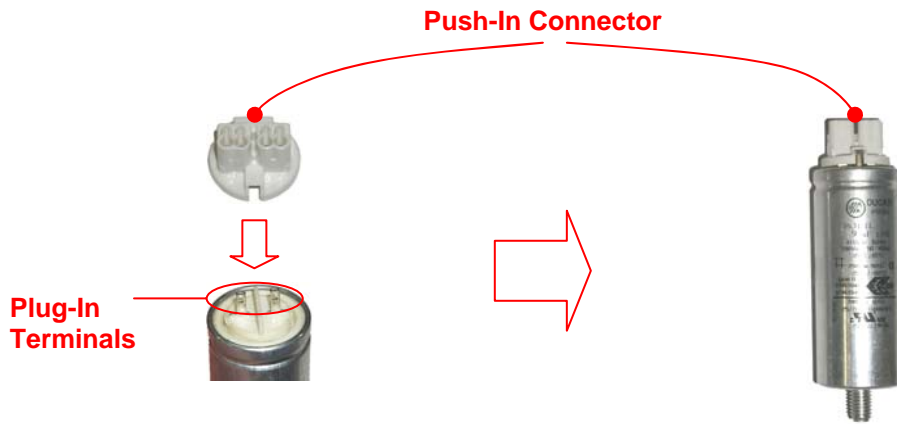
End Cap for 4.12.XX / CTCXX Series Motor Start Capacitors

End Cap for 4.12.XX / CTCXX

Part No	Case Dim D x H mm	Dimension (mm)	
		D	h
3.12.11.0830	36.5 x 68.5	36.5	13.7
3.12.11.0840	45.5 x 84	45.5	14.6
3.12.11.0850	52 x 105	52.0	18.6



Accessories – Push-In Connector for Plug-In Terminals



Insulated push-in connector, complete with integrated discharge resistor. Push-in connector can be used for all capacitors having plug-in terminals.

Push-In Connector

Push-In Connector		
Part No	Dimension (mm)	
	D	h
3.16.23.1000	24.0	19.0

