

ISOMETER® isoEV425/isoEV425HC with coupling device AGH420

Insulation monitoring device for unearthed DC circuits (IT systems)
for charging electric vehicles



ISOMETER® isoEV425/isoEV425HC

with coupling device AGH420

Insulation monitoring device for unearthed DC circuits (IT systems)
for charging electric vehicles



ISOMETER® isoEV425

Device features

- Monitoring for DC charging stations (mode 4 acc. to IEC 61851-23) for charging of electric vehicles
- Measurement of the mains voltage (r.m.s.) with undervoltage and overvoltage detection
- Measurement of DC voltages system to earth (L+/PE and L-/PE)
- Automatic adaptation to the system leakage capacitance up to 5 µF or 20 µF
- Automatic device self test with connection monitoring
- Selectable start-up delay, response delay and delay on release
- Two separately adjustable response value ranges of 1kΩ ... 500 kΩ (Alarm 1, Alarm 2)
- Alarm signalling via LEDs (AL1, AL2), a display and alarm relays (K1, K2)
- N/C operation or N/O operation of the relays selectable
- Measured value indication via multi-functional LCD
- Fault memory can be activated
- RS-485 (galvanically isolated) including the following protocols:
 - BMS interface (Bender measuring device interface) for data exchange with other Bender components
 - Modbus RTU
 - IsoData (for continuous data output)
- Password protection to prevent unauthorised parameter changes

Certifications



Product description

The ISOMETER® of the isoEV425 or isoEV425HC series monitors the insulation resistance of unearthed AC/DC main circuits (IT systems) with nominal system voltages of 3(N)AC, AC/DC 0...690 V or DC 0...1000 V. The main application areas are unearthed DC charging stations (mode 4 acc. to IEC 61851-23) for electric vehicles (IT systems) with nominal voltages of DC 0...1000 V. DC components existing in 3(N)AC, AC/DC systems do not influence the operating characteristics, when a minimum load current of DC 10 mA flows. A separate supply voltage allows deenergised systems to be monitored as well. The maximum permissible system leakage capacitance C_e is 5 µF (for isoEV425) and 20 µF (for isoEV425HC). The ISOMETER® is always used in conjunction with the coupling device AGH420.

Application

- DC charging stations for electric vehicles according to IEC 61851-23

Function

The currently measured insulation resistance is indicated on the LC display. The ISOMETER®s are factory-set to two response values 100/500 kΩ. If the reading is below the selected response value, the response delay “ t_{on} ” begins. Once the response delay “ t_{on} ” has elapsed, the alarm relays “K1/K2” switch and the alarm LEDs “AL1/AL2” light up. By means of the two isolated response values/alarm relays, messages can be evaluated separately. If the insulation resistance exceeds the release value (response value plus hysteresis), the alarm relays switch back to their initial position.

The point of fault L+, L- or the symmetrical insulation resistance is indicated on the display. In the menu, the alarm relays can also be assigned to the point of fault.

By activating the fault memory, the alarm relays and alarm LEDs remain in alarm state until the reset button is pressed or the supply voltage is disconnected. The device functions can be checked using the test button. Parameters are assigned to the device via the LCD and the control buttons on the front panel, as well as the BMS or Modbus RTU Interface.

Connection monitoring

The connections to the electrical system (L1+/L2/-) and earth (E/KE) as well as the connecting wires from the Isometer® to the coupling device are periodically monitored every 24 hours after pressing the test button and connecting the supply voltage. In case of interruption of a connecting wire, the alarm relay K2 switches, the LEDs ON//AL1//AL2 flash and a message appears on the LC display as follows:

“E.0x” for a fault in the connecting wires between both devices or system fault,

“E.02” for a fault in the connecting wires to the system,

“E.01” for a fault in the connecting wires to PE.

After eliminating the fault, the alarm relays return to their initial position either automatically or by pressing the reset button.

Measurement method

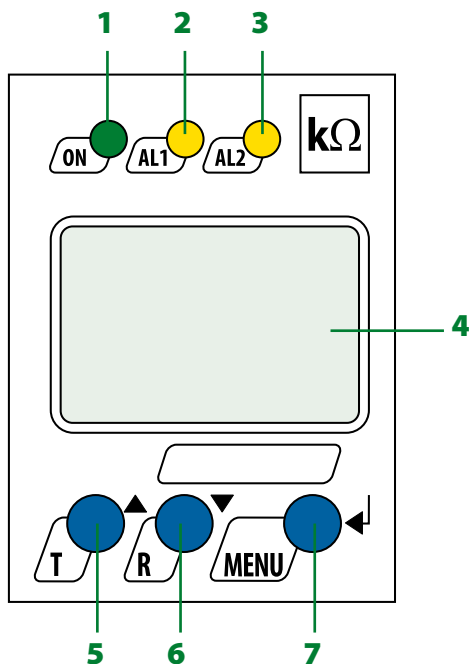
The ISOMETER® isoEV425 works with different measurement methods adapted to the application with a maximum response time of 10 s.

Standards

The ISOMETER® has been developed in compliance with the following standards:

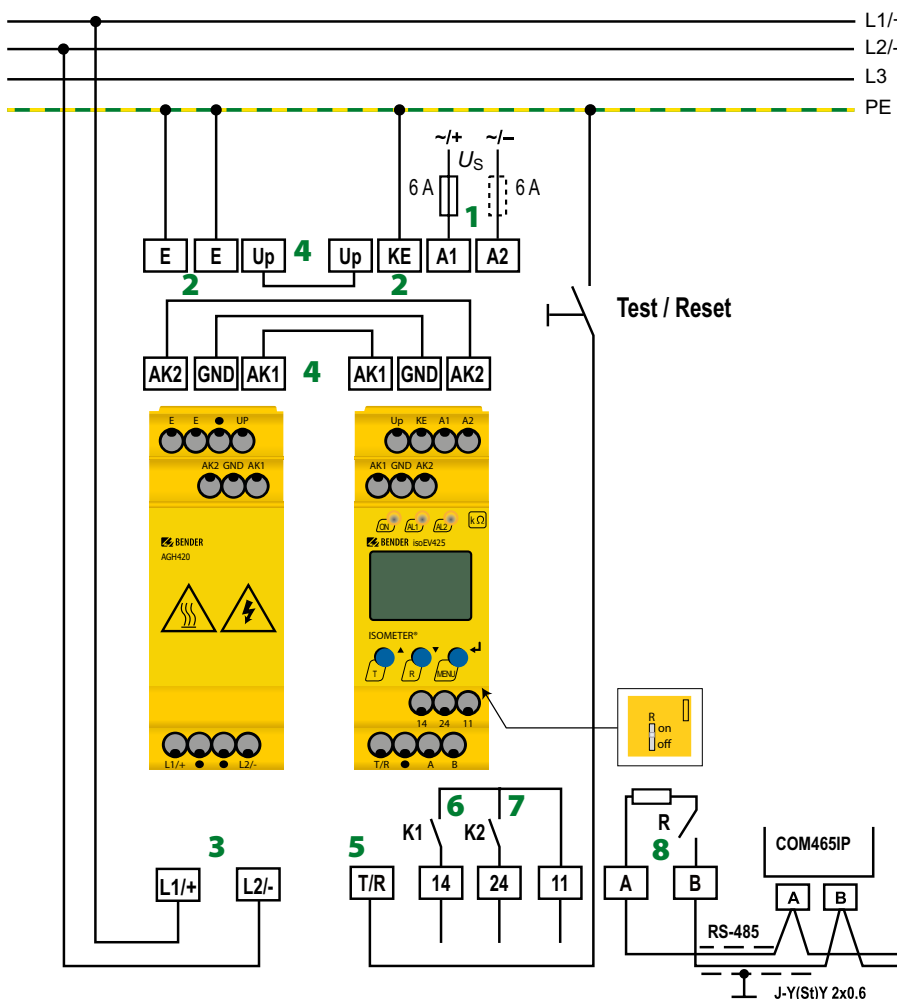
- DIN EN 61557-8 (VDE 0413-8):2015-12/Ber1:2016-12
- IEC 61557-8 -8:2014/COR1:2016

Operating elements



- 1 - LED "ON" (operation LED) flashes in case of interruption of the connecting wires E/KE or L1+/L2/- or system fault.
- 2 - Alarm LED "AL1", lights when the values fall below the set response value Alarm 1 and flashes in case of interruption of the connecting wires E/KE or L1+/L2/-, or system faults as well as in the case of overvoltage (can be activated).
- 3 - Alarm LED "AL2" lights when the values fall below the set response value Alarm 2 and flashes in case of interruption of the connecting wires E/KE or L1+/L2/- or system faults as well as in the case of undervoltage (can be activated).
- 4 - LC display
- 5 - Test button "T": Call up the self-test
Arrow up button: Parameter change, move upwards in the menu
- 6 - Reset button "R": Delete stored insulation fault alarms
Arrow down button: Parameter change, move downwards in the menu
- 7 - Menu button "MENU": Call up the menu system.
Enter button: Confirms parameter changes

Wiring diagram



- 1 - A1, A2 Connection to the supply voltage via a fuse. If supplied from an IT system, both lines have to be protected by a fuse.*
- 2 - E, E, KE Connect each terminal separately to PE: The same wire cross section as for A1, A2 is to be used.
- 3 - L1/+, L2/- Connection to the 3(N)AC, AC or DC system to be monitored.
- 4 - Up, AK1, GND, AK2 Connect the terminals of the AGH420 to the corresponding terminals of the ISOMETER®.
- 5 - T/R Connection for external combined test and reset button.
- 6 - 11, 14 Connection to alarm relay K1
- 7 - 11, 24 Connection to alarm relay K2
- 8 - A, B RS-485 communication interface with selectable terminating resistance.

*** For UL applications:**
Only use 60/75°C copper lines!
UL and CSA applications require the supply voltage to be protected via 5 A fuses .

Technical data ISOMETER® isoEV425

Insulation coordination acc. to IEC 60664-1/IEC 60664-3

Definitions:	
Supply circuit (IC2)	A1, A2
Output circuit (IC3)	11, 14, 24
Control circuit (IC4)	Up, KE, T/R, A, B, AK1, GND, AK2
Rated voltage	240 V
Overvoltage category	III
Rated impulse voltage:	
IC2/(IC3-4)	4 kV
IC3/(IC4)	4 kV
Rated insulated voltage:	
IC2/(IC3-4)	250 V
IC3/(IC4)	250 V
Polution degree	3
Protective separation (reinforced insulation) between:	
IC2/(IC3-4)	Overvoltage category III, 300 V
IC3/(IC4)	Overvoltage category III, 300 V
Voltage test (routine test) according to IEC 61010-1:	
IC2/(IC3-4)	AC 2.2 kV
IC3/(IC4)	AC 2.2 kV

Supply voltage

Supply voltage U_s	AC 100...240 V/DC 24...240 V
Tolerance of U_s	-30...+15 %
Frequency range U_s	47...63 Hz
Power consumption	≤ 3 W, ≤ 9 VA

IT system being monitored

Nominal system voltage U_n with AGH420	3(N)AC, AC 0...690 V/DC 0...1000 V
Tolerance of U_n	AC +15 %, DC +10 %
Nominal system voltage range U_n with AGH420 (UL508)	AC/DC 0...600 V
Frequency range of U_n	DC, 40...460 Hz

Measuring circuit

Permissible system leakage capacitance C_e (isoEV425)	≤ 5 μ F
Permissible system leakage capacitance C_e (isoEV425HC)	≤ 20 μ F
Permissible extraneous DC voltage U_{fg}	≤ 1150 V

Response values

Response value R_{an1} (isoEV425)	2...500 k Ω (500 k Ω)*
Response value R_{an1} (isoEV425HC)	2...500 k Ω (200 k Ω)*
Response value R_{an2} (isoEV425)	1...490 k Ω (100 k Ω)*
Operating uncertainty R_{an} (≤ 5 μ F)	± 15 %, at least ± 1 k Ω
Operating uncertainty $R_{an} > 100$ k Ω (≤ 5 μ F, isoEV425HC)	$\pm (5 \% * R_{an}/100 \text{ k}\Omega + 10\%)$
Hysteresis R_{an}	25 %, at least 1 k Ω
Undervoltage detection	30...1.14 kV (off)*
Overvoltage detection	31...1.15 kV (off)*
Relative uncertainty U	± 5 %, at least ± 5 V
Relative uncertainty depending on the frequency ≥ 200 Hz	-0.03 %/Hz
Hysteresis U	5 %, at least 5 V

Time response

Response time t_{an} at $R_F = 0.5 \times R_{an}$ and $C_e = 1$ μ F acc. to IEC 61557-8	≤ 10 s
Start-up delay t	0...10 s (0 s)*
Response delay t_{on}	0...99 s (0 s)*
Delay on release t_{off}	0...99 s (0 s)*

Displays, memory

Display	LC display, multi-functional, not illuminated
Display range measured value insulation resistance (R_F)	1 k Ω ...1 M Ω
Operating uncertainty R_F (≤ 5 μ F)	± 15 %, at least ± 1 k Ω
Operating uncertainty $R_F > 100$ k Ω (≤ 5 μ F, isoEV425HC)	$\pm (5 \% * R_F/100 \text{ k}\Omega + 10\%)$
Display range measured value nominal system voltage (U_n)	30...1.15 kV r.m.s.
Operating uncertainty	± 5 %, at least ± 5 V
Relative uncertainty depending on the frequency ≥ 200 Hz	-0.03 %/Hz
Display range measured value system leakage capacitance $R_F > 10$ k Ω (isoEV425)	0...10 μ F
Display range measured value system leakage capacitance $R_F > 10$ k Ω (isoEV425HC)	0...25 μ F
Operating uncertainty	± 15 %, at least ± 2 μ F
Password	off/0...999 (0, off)*
Fault memory alarm messages	on/(off)*

Interface

Interface/protocol	RS-485/BMS, Modbus RTU, isoData
Baud rate	BMS (9.6 kBit/s), Modbus RTU (selectable), isoData (115.2 kBits/s)
Cable length (9.6 kbits/s)	≤ 1200 m
Cable: twisted pairs, shield connected to PE on one side	min. J-Y(St)Y 2x0.6
Terminating resistor	120 Ω (0,25 W), internal, can be connected
Device address, BMS bus, Modbus RTU	3...90 (3)*

Switching elements

Switching elements	2 x 1 N/O contacts, common terminal 11
Operating principle	N/C operation/N/O operation (N/O operation)*
Electrical endurance, number of cycles	10000

Contact data acc. to IEC 60947-5-1:

Utilisation category	AC-12	AC-14	DC-12	DC-12	DC-12
Rated operational voltage	230 V	230 V	24 V	110 V	220 V
Rated operational current	5 A	2 A	1 A	0.2 A	0.1 A
Minimum contact rating	1 mA at AC/DC ≥ 10 V				

Environment/EMC

EMC	IEC 61326-2-4
-----	---------------

Ambient temperatures:

Operation	-40...+70 °C
Transport	-40...+85 °C
Storage	-40...+70 °C

Classification of climatic conditions acc. to IEC 60721

Stationary use (IEC 60721-3-3)	3K7 (except condensation and formation of ice)
Transport (IEC 60721-3-2)	2K4 (except condensation and formation of ice)
Long-term storage (IEC 60721-3-1)	1K5 (except condensation and formation of ice)

Classification of mechanical conditions acc. to IEC 60721

Stationary use (IEC 60721-3-3)	3M4
Transport (IEC 60721-3-2)	2M2
Long-term storage (IEC 60721-3-1)	1M3

Connection

Connection type	screw-type terminal or push-wire terminal
-----------------	---

Screw-type terminals:

Nominal current	≤ 10 A
Tightening torque	0.5...0.6 Nm (5...7 lb-in)
Conductor sizes	AWG 24-12
Stripping length	8 mm
Rigid/flexible	0.2...2.5 mm ²
Flexible with ferrules with/without plastic sleeve	0.25...2.5 mm ²
Multi-conductor rigid	0.2...1.5 mm ²
Multi-conductor flexible	0.2...1.5 mm ²
Multi-conductor flexible with ferrules without plastic sleeve	0.25...1.5 mm ²
Multi-conductor flexible with TWIN ferrules with plastic sleeve	0.5...1.5 mm ²

Technical data ISOMETER® isoEV425 (continued)
Push-wire terminals:

Nominal current	≤ 10 A
Conductor sizes	AWG 24-14
Stripping length	10 mm
Rigid	0.2...2.5 mm ²
Flexible without ferrules	0.75...2.5 mm ²
Flexible with ferrules with/without plastic sleeve	0.25...2.5 mm ²
Multi-conductor flexible with TWIN ferrules with plastic sleeve	0.5...1.5 mm ²
Opening force	50 N
Test opening, diameter	2.1 mm

Wiring of the terminals Up, AK1, GND, AK2

refer to technical data AGH420 under the heading "Connection"

Other

Operating mode	continuous operation
Mounting	cooling slots must be ventilated vertically
Degree of protection, built-in components (DIN EN 60529)	IP30
Degree of protection, terminals (DIN EN 60529)	IP20
Enclosure material	polycarbonate
DIN rail mounting acc. to	IEC 60715
Screw fixing	2 x M4 with mounting clip
Weight	≤ 150 g

() * = factory setting

Technical data coupling device AGH420
Insulation coordination acc. to IEC 60664-1/IEC 60664-3

Definitions:	
Measuring circuit (IC1)	L1+, L2/-
Control circuit (IC2)	AK1, GND, AK2, Up, E
Rated voltage	1000 V
Overvoltage category	III
Rated impulse voltage:	
IC1/(IC2)	8 kV
Rated insulated voltage:	
IC1/(IC2)	1000 V
Polution degree	3
Protective separation (reinforced insulation) between:	
IC1/(IC2)	Overvoltage category III, 1000 V

Monitored IT system

Nominal system voltage range U_n	AC/DC 0...1000 V
Tolerance of U_n	AC/DC +10 %
Nominal system voltage range U_n (UL508)	AC/DC 0...600 V

Measuring circuit

Measuring voltage U_m	± 45 V
Measuring current I_m at R_f	≤ 400 μA
Internal resistance DC R_i	≥ 120 kΩ

Environment/EMC

EMC	IEC 61326-2-4
-----	---------------

Ambient temperatures:

Operation	-40...+70 °C
Transport	-40...+85 °C
Storage	-40...+70 °C

Classification of climatic conditions acc. to IEC 60721:

Stationary use (IEC 60721-3-3)	3K7 (except condensation and formation of ice)
Transport (IEC 60721-3-2)	2K4 (except condensation and formation of ice)
Long-term storage (IEC 60721-3-1)	1K5 (except condensation and formation of ice)

Classification of mechanical conditions acc. to IEC 60721:

Stationary use (IEC 60721-3-3)	3M4
Transport (IEC 60721-3-2)	2M2
Long-term storage (IEC 60721-3-1)	1M3

Connection

Connection type screw-type terminal or push-wire terminal

Screw-type terminals:

Nominal current	≤ 10 A
Tightening torque	0.5...0.6 Nm (5...7 lb-in)
Conductor sizes	AWG 24-12
Stripping length	8 mm
Rigid/flexible	0.2...2.5 mm ²
Flexible with ferrules with/without plastic sleeve	0.25...2.5 mm ²
Multi-conductor rigid	0.2...1.5 mm ²
Multi-conductor flexible	0.2...1.5 mm ²
Multi-conductor flexible with ferrules without plastic sleeve	0.25...1.5 mm ²
Multi-conductor flexible with TWIN ferrule with plastic sleeve	0.25...1.5 mm ²

Push-wire terminals:

Nominal current	≤ 10 A
Conductor sizes	AWG 24-14
Stripping length	10 mm
Rigid	0.2...2.5 mm ²
Flexible without ferrules	0.75...2.5 mm ²
Flexible with ferrules with plastic sleeve	0.25...2.5 mm ²
Multi-conductor flexible with TWIN ferrules with plastic sleeve	0.5...1.5 mm ²
Opening force	50 N
Test opening, diameter	2.1 mm
Connection type	terminals Up, AK1, GND, AK2

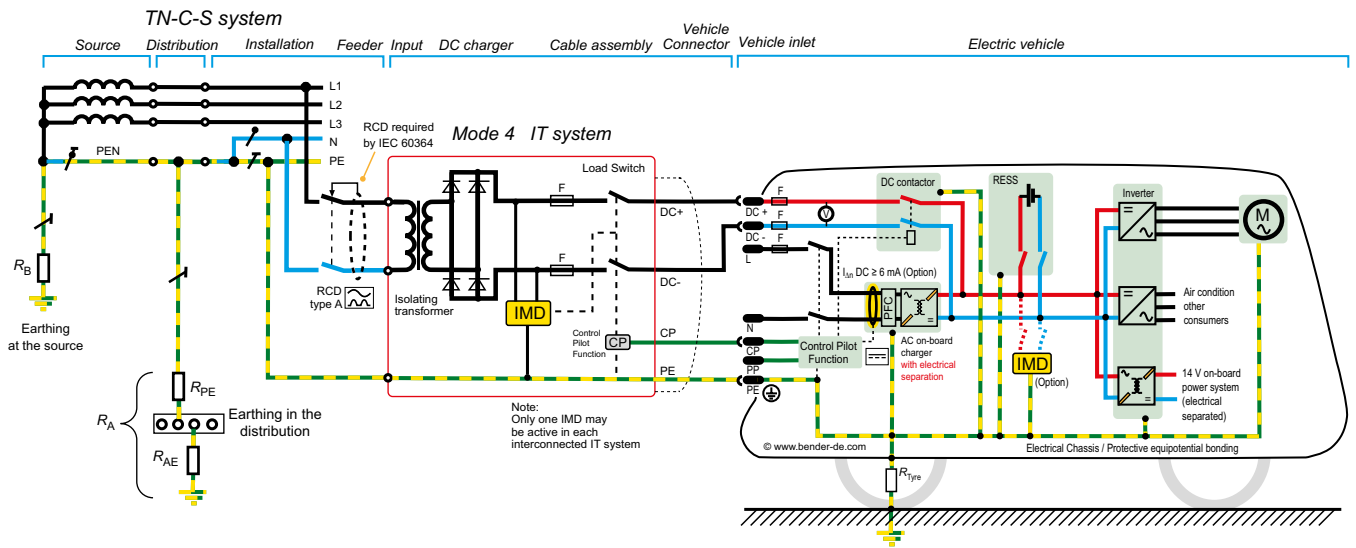
Single cables for terminals Up, AK1, GND, AK2:

Cable lengths	≤ 0.5 m
Connection properties	≥ 0.75 mm ²

Other

Operating mode	Continuous operation
Mounting	cooling slots must be ventilated vertically
Distance to adjacent devices from $U_n > 800$ V	≥ 30 mm
Degree of protection internal components (DIN EN 60529)	IP30
Degree of protection terminals (DIN EN 60529)	IP20
Enclosure material	polycarbonate
DIN rail mounting acc. to	IEC 60715
Screw mounting	2 x M4 with mounting clip
Weight	≤ 150 g

Example of application



Ordering information

Supply voltage U_s		System leakage capacitance C_e	Type	Art. No.	
AC	DC			Screw-type terminal	Push-wire terminal
100...240 V, 47...63 Hz	24...240 V	$\leq 5 \mu\text{F}$	isoEV425-D4-4 with AGH420	B91036401	B71036401
		$\leq 20 \mu\text{F}$	isoEV425HC-D4-4 with AGH420	—	B71036397

Accessories

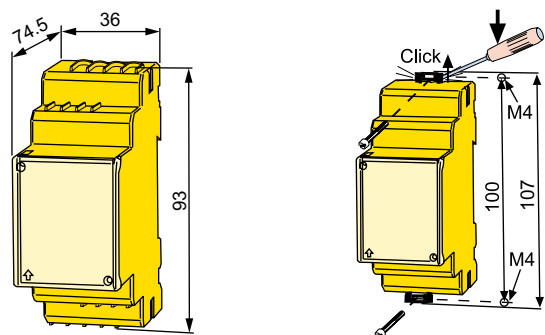
Description	Art. no.
Mounting clip for screw mounting (1 piece per device)	B98060008


Dimension diagram XM420

Dimensions in mm
Open the front plate cover in direction of arrow!

Screw mounting

Note: The above mounting clip is an accessory and must be ordered separately (see accessories).





CAPTECH
POWER QUALITY SOLUTIONS

Distributed in Australia by:

Captech Pty Ltd
Phone: 1300 280 010
Email: sales@captech.com.au



Bender GmbH & Co. KG

P.O. Box 1161 • 35301 Gruenberg • Germany
Londorfer Straße 65 • 35305 Gruenberg • Germany
Tel.: +49 6401 807-0 • Fax: +49 6401 807-259
E mail: info@bender.de • www.bender.de



BENDERGroup