

Measuring current transformers of the W...AB(P) series



Measuring current transformers of the W...AB(P) series



W60AB measuring current transformer

Device features

- W20AB...W60AB for AC/DC sensitive RCMA420 residual current monitors
- W20AB...W210AB for RCMS460/490 residual current monitoring systems or for RCMA423 residual current monitors
- W35ABP and W60ABP for RCMS460/490 and for RCMA420/423 residual current monitors. For use in systems where short-term load currents are likely to occur.

Approvals



Product description

Measuring current transformers of the W...-AB series are measuring current transformers which in combination with devices of the RCMA420/423 resp. RCMS460/490 series convert AC and DC currents into evaluable measurement signals. Connection to the respective devices is via a five-wire or six-wire cable. The CTs can be used in DC, AC, and 3(N) AC systems. If the measuring current transformers are to be connected to an RCMS460/490 system, one AN420 or AN110 power supply unit is required for six measuring current transformers each.

The measuring current transformers of the W35ABP and W60ABP series feature an integrated Mumetal shield.

Standards

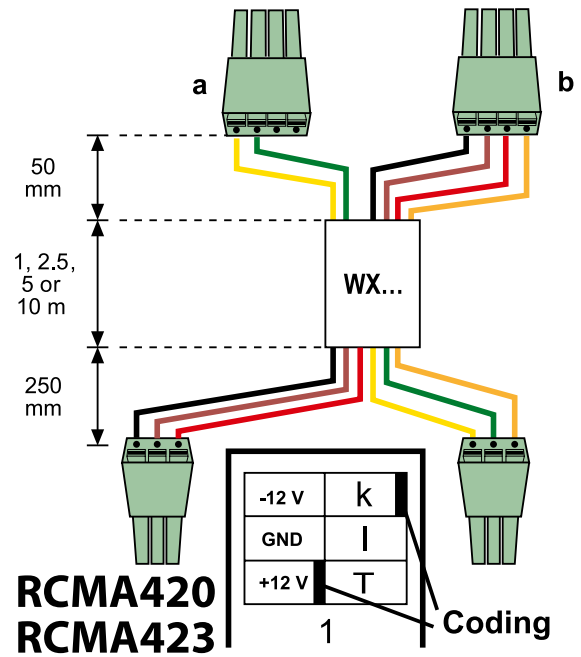
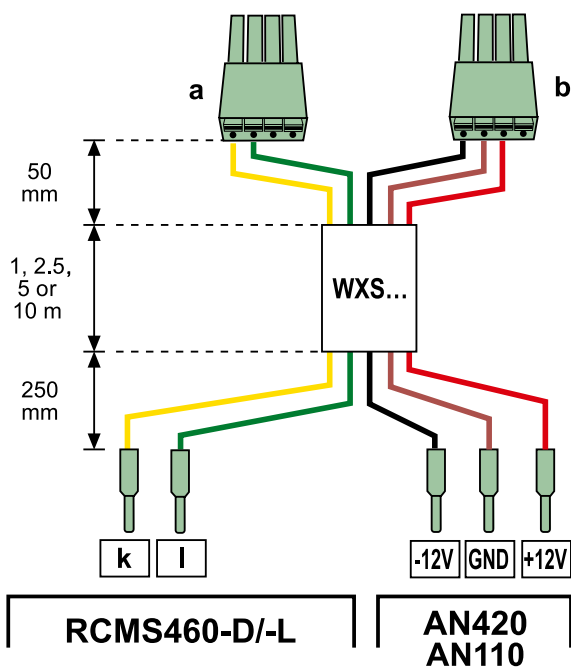
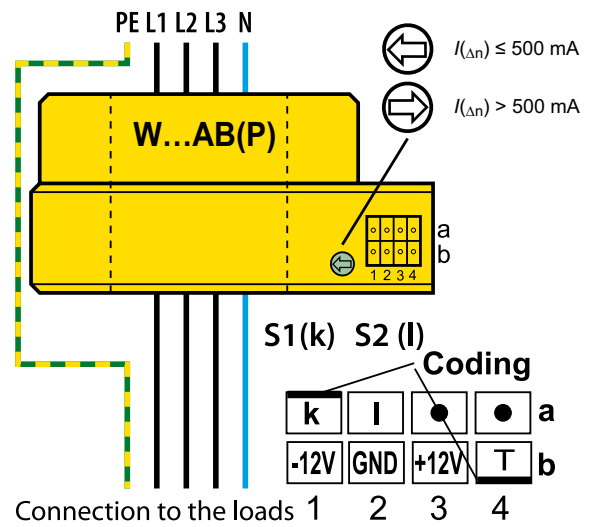
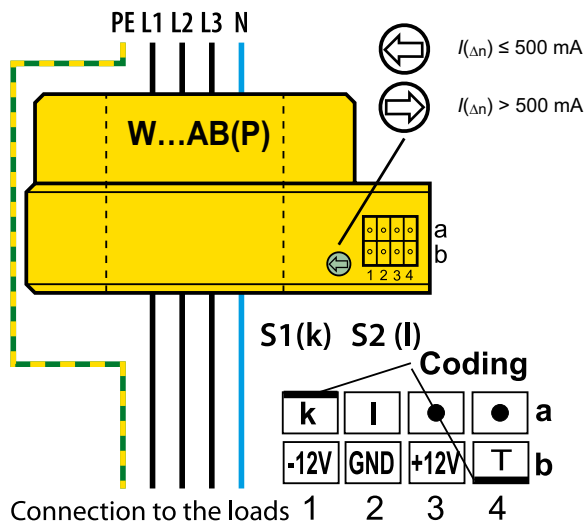
W...AB series measuring current transformers comply with the device standards: IEC 61869-1.

Installation instructions

- Make sure that all live conductors are routed through the measuring current transformer
- Do not route shielded conductors through the measuring current transformer
- As a general principle, the PE conductor und low-resistance conductor loops must not be passed through the measuring current transformer! Otherwise the applied AC/DC sensitive measurement technique can result in high currents being induced into the conductor loop.



Wiring diagram

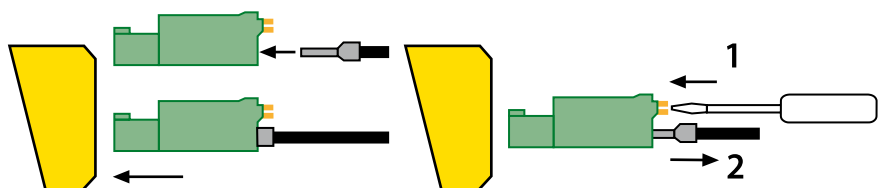
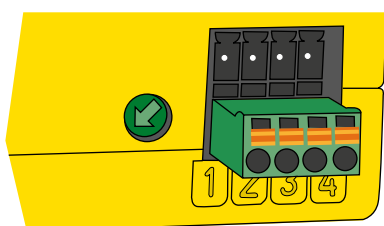


Connection to the RCMS460/490 residual current monitor using the WXS-... connecting cable.

Connection to the RCMA420/423 residual current monitor using the WX-... connecting cable.

Colour coding for WXS... and WX...:

k = yellow, I = green, -12 V = black, GND = brown, +12 V = red, Test (T) = orange



Technical data

Insulation coordination acc. to IEC 60664-1/IEC 60664-3

Rated voltage	800 V
Rated impulse voltage/pollution degree	8 kV/3

Supply voltage

Supply voltage U_S	DC ± 12 V
Operating range of U_S	0.95...1.05 x U_S
Power consumption	≤ 2.5 VA

CT circuit

Rated primary residual current W20AB	10...500 mA
Rated primary residual current W35AB(P)...W60AB(P)	10 mA...10 A
Rated primary residual current W120AB	100 mA...10 A
Rated primary residual current W210AB	300 mA...10 A
Rated continuous thermal current I_{cth}	40 A
Rated short-time thermal current I_{th}	2.4 kA/1 s
Rated dynamic current I_{dyn}	6.0 kA/40 ms

Environment/EMC

EMC	IEC 62020
Operating temperature	-10...+55 °C
Climatic class acc. to IEC 60721	
Stationary use (IEC 60721-3-3)	3K5 (except condensation and formation of ice)
Transport (IEC 60721-3-2)	2K5 (except condensation and formation of ice)
Long-time storage (IEC 60721-3-1)	1K5 (except condensation and formation of ice)
Classification of mechanical conditions IEC 60721	
Stationary use (IEC 60721-3-3)	3M4
Transport (IEC 60721-3-2)	2M2
Long-time storage (IEC 60721-3-1)	1M3

Connection

Type of connection	plug-in connectors
Connection RCMA/RCMS measuring current transformers	see table "connecting cables"

Other

Degree of protection, internal components (IEC 60529)	IP40
Degree of protection, terminals (IEC 60529)	IP20
Screw mounting	fillister head screw M5 acc. to DIN7985
DIN rail mounting (W20AB...W60AB(P) only)	Snap-on mounting
Flammability class	UL94 V-HB
Documentation number	D00074

Ordering information

Mounting	Inside diameter	Type	Art. No.
Mounting brackets, DIN rail	20 mm	W20AB	B98080008
	35 mm	W35AB	B98080016
		W35ABP	B98080051
	60 mm	W60AB	B98080026
W60ABP		B98080052	
Mounting brackets	120 mm	W120AB	B98080041
	210 mm	W210AB	B98080040

Connecting wires

For device	Length	Type	Art. No.
RCMA420/423	1 m	WX-100	B98080503
	2.5 m	WX-250	B98080504
	5 m	WX-500	B98080505
	10 m	WX-1000	B98080511
RCMS460/490	1 m	WXS-100	B98080506
	2.5 m	WXS-250	B98080507
	5 m	WXS-500	B98080508
	10 m	WXS-1000	B98080509

Control cable LiYY flexible, 6 x AWG 20 (6 x 0.56 mm²), approved by UL 2464

Accessories

Type designation	For device	Art. No.
Snap-on mounting	W20AB, W35AB(P)	B98080501
	W60AB(P)	B98080502

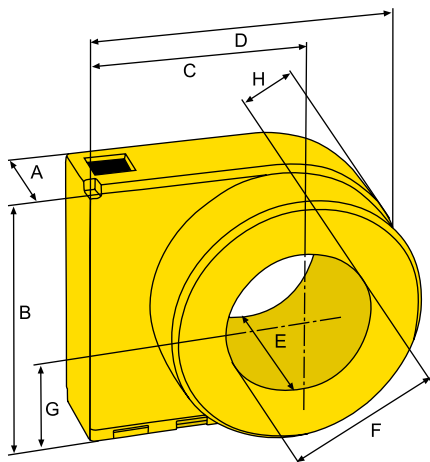
Suitable system components

Type designation	Supply voltage U_S	Type	Art. No.
Power supply units	AC 16...72 V/DC 9,6...94 V DC, AC 42...66 Hz	AN420-1	B74053099
	AC/DC 70...276 V DC, AC 42...460 Hz	AN420-2	B94053100
	AC 20...60 V; DC 18...72 V DC, AC 50...60 Hz	AN110-1	B94053101
	AC 90...264 V; DC 100...353 V DC, AC 50...60 Hz	AN110-2	B94053102

Selection list

Type	RCMA420	RCMA423	RCMS460/490
W20AB	■	■	■
W35AB(P)	■	■	■
W60AB(P)	■	■	■
W120AB	–	■	■
W210AB	–	■	■

Dimension diagram

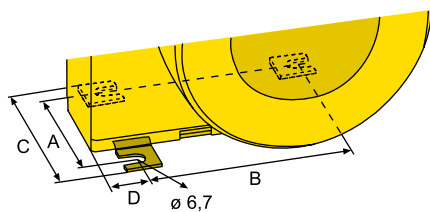


Type	Dimensions (mm)								Weight
	A	B	C	D	E	F	G	H	
W20AB	30	56.3	50	76.4	48.5	∅ 20	29.8	16.4	180 g
W35AB(P)	30	79.2	62	99.5	55	∅ 35	41.7	20	350 g
W60AB(P)	37	116.4	79	135	67	∅ 60	60.4	24	570 g
W120AB	37	191.5	116.5	210	67	∅ 120	98	33.5	1920 g
W210AB	45	304.5	173	323	80	∅ 210	154.5	45	5800 g

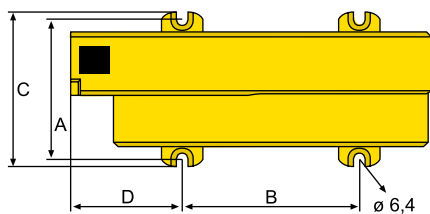
Tolerance: ± 0.5 mm

Mounting details

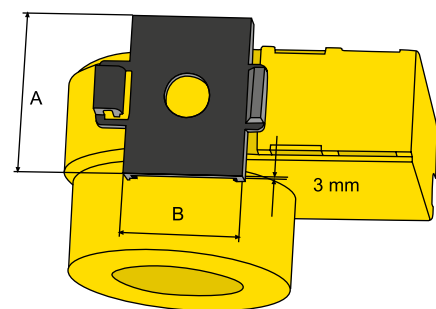
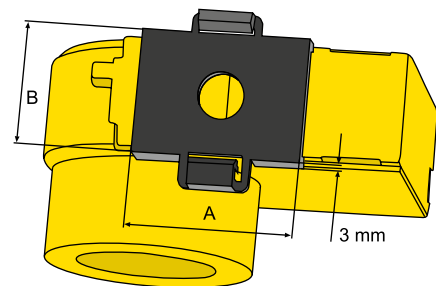
Screw mounting with mounting brackets:
W20AB, W35AB(P), W60AB(P)



Screw mounting: W120AB, W210AB



Snap-on mounting on DIN rail, for vertical or horizontal mounting:
W20AB, W35AB(P), W60AB(P)



Dimensions (mm)				
Type	A	B	C	D
W35 (mounting with 2 mounting brackets diagonal)	49	31.4	65	18.6
W35AB(P) (mounting with 2 mounting brackets diagonal)	49	49.8	65	12.1
W60AB(P) (mounting with 3 mounting brackets diagonal)	56	66	72	17.7
W120AB (screw mounting)	81	103	90.6	65
W210AB (screw mounting)	98	180	117.1	83

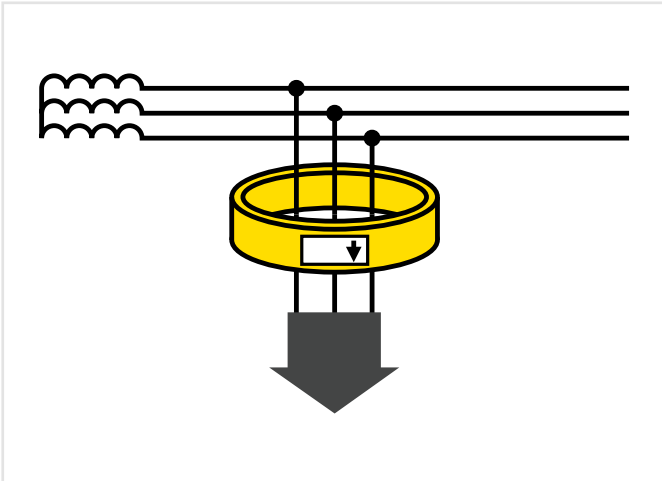
Dimensions (mm)		
Type	A	B
W20AB	43.5	32
W35AB(P)	43.5	32
W60AB(P)	50	39

Dimensions in mm

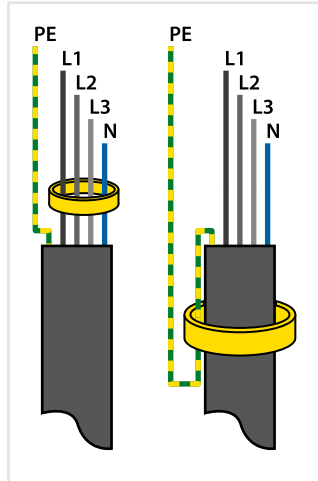
Tolerance for screw mounting with mounting brackets: ± 1.5 mm

Installation instructions

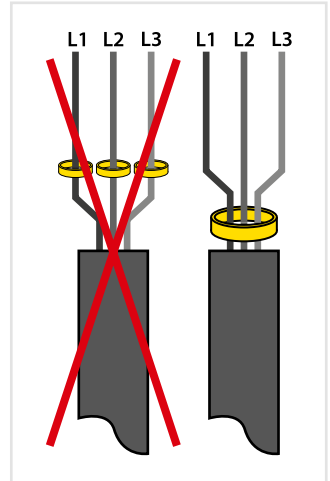
- Do not pass shielded cables through the measuring current transformer.
- As a general principle, the PE conductor and low-resistance conductor loops must not be passed through the measuring current transformer!



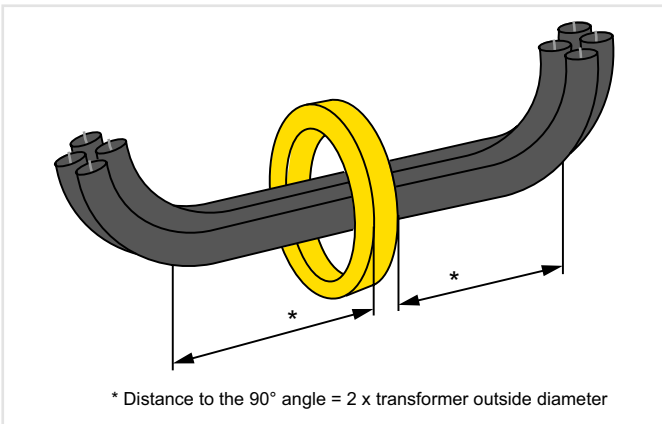
It is important that the leads are passed through the measuring current transformer in the right direction



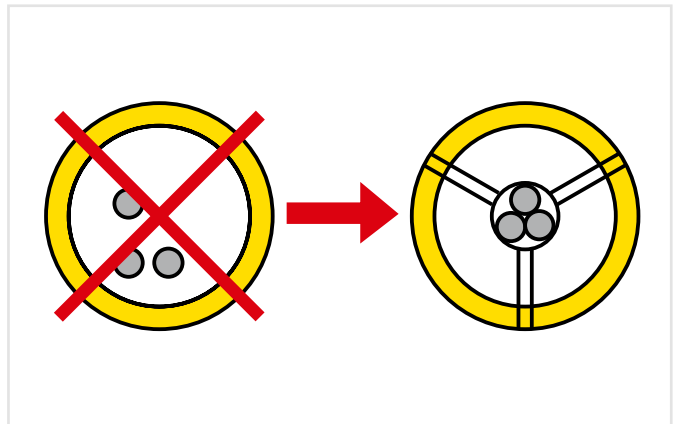
Never pass a PE conductor through the measuring current transformer



Make sure that all current-carrying leads are passed through the measuring current transformer



* Distance to the 90° angle = 2 x transformer outside diameter
Bending a lead is only permissible with a certain distance to the current transformer



The leads must be aligned with the centre of the measuring current transformer

	Distributed in Australia by:
	Captech Pty Ltd
	Phone: 1300 280 010
	Email: sales@captech.com.au



Bender GmbH & Co. KG
 P.O. Box 1161 • 35301 Gruenberg • Germany
 Londorfer Strasse 65 • 35305 Gruenberg • Germany
 Tel.: +49 6401 807-0 • Fax: +49 6401 807-259
 E-Mail: info@bender.de • www.bender.de



BENDER Group