

Coupling device CD1000-2



Coupling device CD1000-2



Coupling device CD1000-2

Product description

The CD1000-2 can be used with an NGR monitor in HRG systems with a system voltage U_{LL} up to 1000 V ($U_{NGR} \leq 600$ V).

The maximum operating altitude is 5000 m above mean sea level.

Application

- The coupling device is suitable for HRG applications up to AC 1000 V and/or DC 690 V.

Function

The duty time is unlimited. To provide the necessary cooling at a voltage of $U_{LL} > 690$ V ($U_{NGR} > 400$ V), the CD1000-2 must be mounted on a grounded metal plate of at least 300 x 300 mm.

Device features

- Coupling device for NGRM
- Range of use up to AC 1000 V/DC 600 V system voltage
- Application up to 5000 m

Certifications

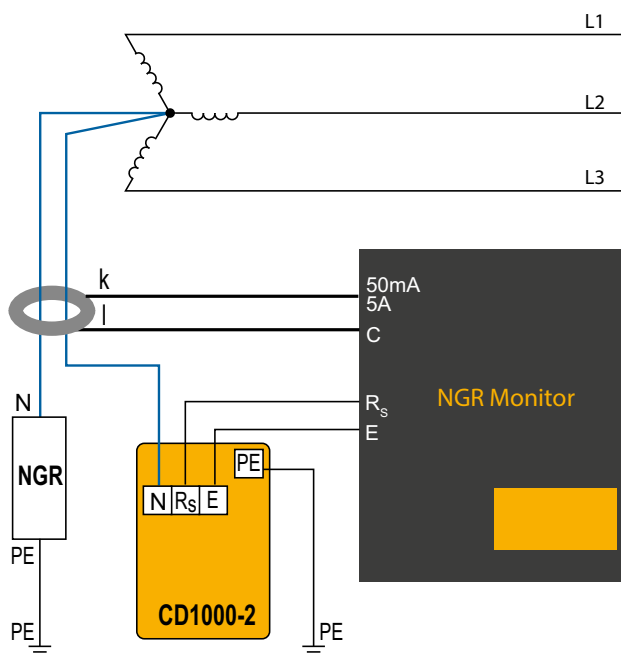


Ordering details

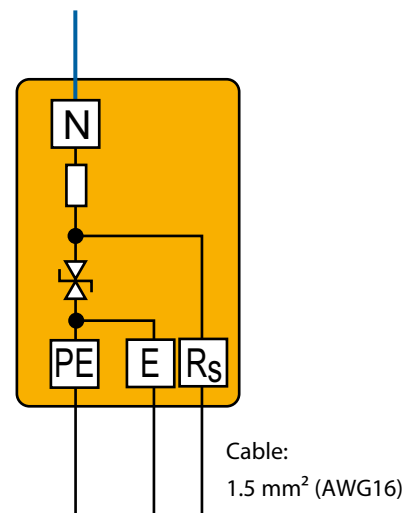
Nominal system voltage U_n	Type	Art. No.
Up to $U_{LL} = 1000$ V ($U_{NGR} = 600$ V)	CD1000-2	B98039053

Wiring diagrams

Wiring diagram



Internal wiring diagram CD1000-2



Terminal	Use	Connecting cable	
		Metrical	Imperial
N	Connection to the star point of the HRG system	1.5 mm ²	AWG16
R_S	Connection to R_S of the NGRM...		
E	Connection to E of the NGRM... (internally connected to PE, see internal wiring diagram)	≥ 1.5 mm ²	AWG16 or greater
PE	Connection to the protective conductor (internally connected to E, see internal wiring diagram)		

Technical data

Insulation coordination DIN EN 50178:1997

Definition	
Measuring circuit (IC1)	N
Output circuit (IC2)	R _S
Protective circuit (IC3)	E, PE
Rated voltage	600 V
Overvoltage category	III
Pollution degree	2
Rated insulation voltage	
no galvanic separation between the circuits!	
IC1/(IC2 – IC3)	600 V
IC2/IC3	50 V

Voltage range

U _n	DC / 50/60 Hz / 50...3200 Hz	600 V
I _n		30 mA
Overload capacity	1.15 x U _n for < 30 minutes	

Resistance

20 kΩ	±0.5 %
Temperature coefficient	20 ppm/K

Environment

Ambient temperature	-40...+70 °C
Ambient temperature for U _L	-40...+60 °C
Humidity	≤ 98 %

Classification of climatic conditions acc. to IEC 60721

(except condensation and formation of ice)

Stationary use (IEC 60721-3-3)	3K5
Transport (IEC 60721-3-2)	2K3 (-40...+85 °C)
Long-term storage (IEC 60721-3-1)	1K4 (-40...+70 °C)

Classification of mechanical conditions acc. to IEC 60721

Stationary use	3M7
Transport	2M2
Long-term storage	1M3

Connection

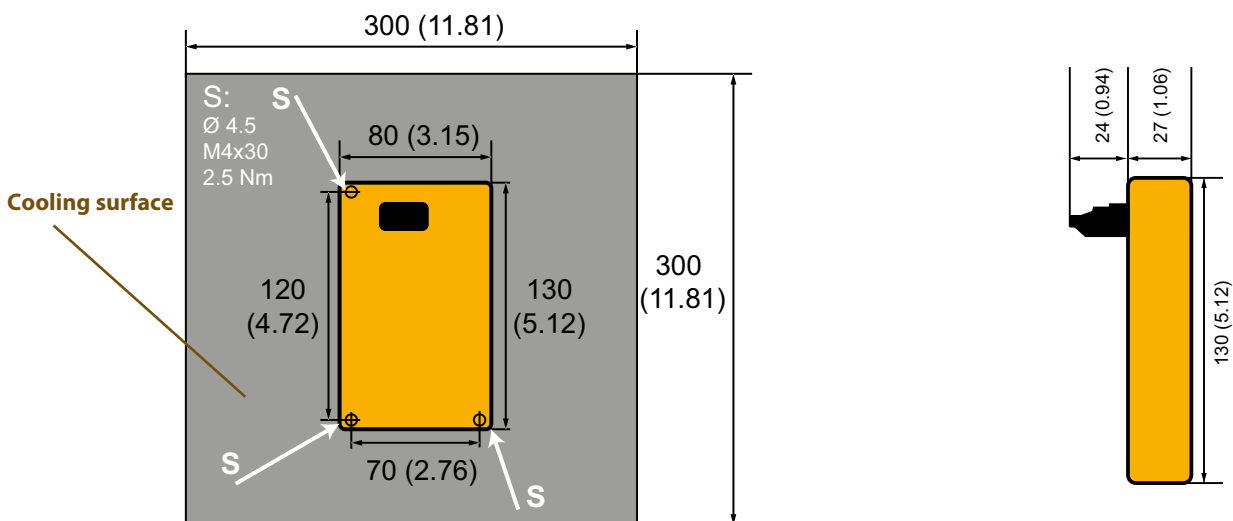
Tightening torque	0.5...0.6 Nm (5...7 lb-in)
Conductor sizes	AWG 24-12
Stripping length	7 mm
Conductor, rigid	0.2...4 mm ²
Conductor, flexible	0.2...2.5 mm ²
Multiple conductor, flexible with ferrule without plastic sleeve	0.25...1.5 mm ²
with plastic sleeve	0.25...2.5 mm ²
Multiple conductor, flexible with TWIN ferrule with plastic sleeve	0.5...1.5 mm ²

Other

Tightening torque mounting screws (M4x30)	2.5 Nm (22.1 lb-in)
Operating mode	continuous operation
Mounting	any position
Operating altitude	up to 5000 m AMSL
Degree of protection, internal components (DIN EN 60529)	IP30
Flammability class	UL 94V-0
Documentation number	D00345
Weight	< 700 g

Dimension diagram

Dimensions in mm (in)





Distributed in Australia by:

Captech Pty Ltd

Phone: 1300 280 010

Email: sales@captech.com.au



Bender GmbH & Co. KG

P.O. Box 1161 • 35301 Grünberg • Germany

Londorfer Straße 65 • 35305 Grünberg • Germany

Tel.: +49 6401 807-0 • Fax: +49 6401 807-259

E-mail: info@bender.de • www.bender.de



BENDER Group